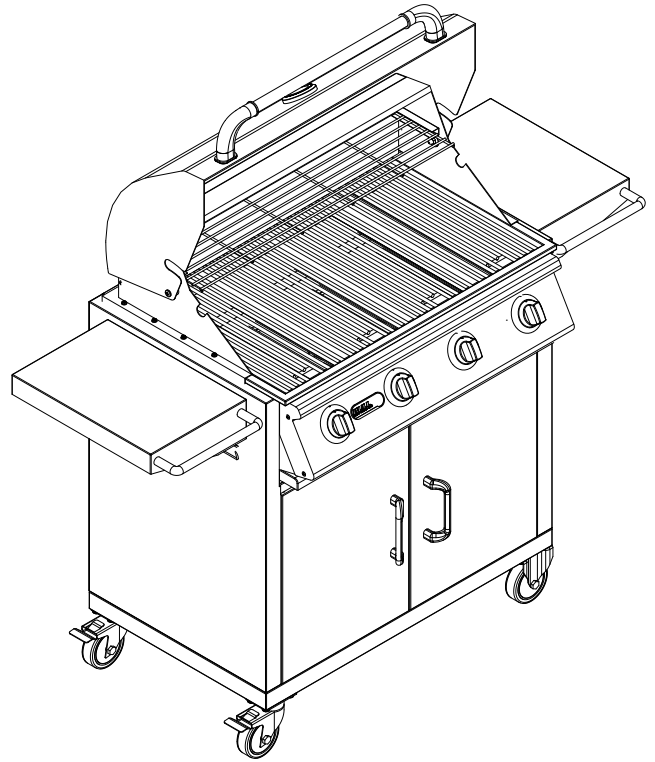
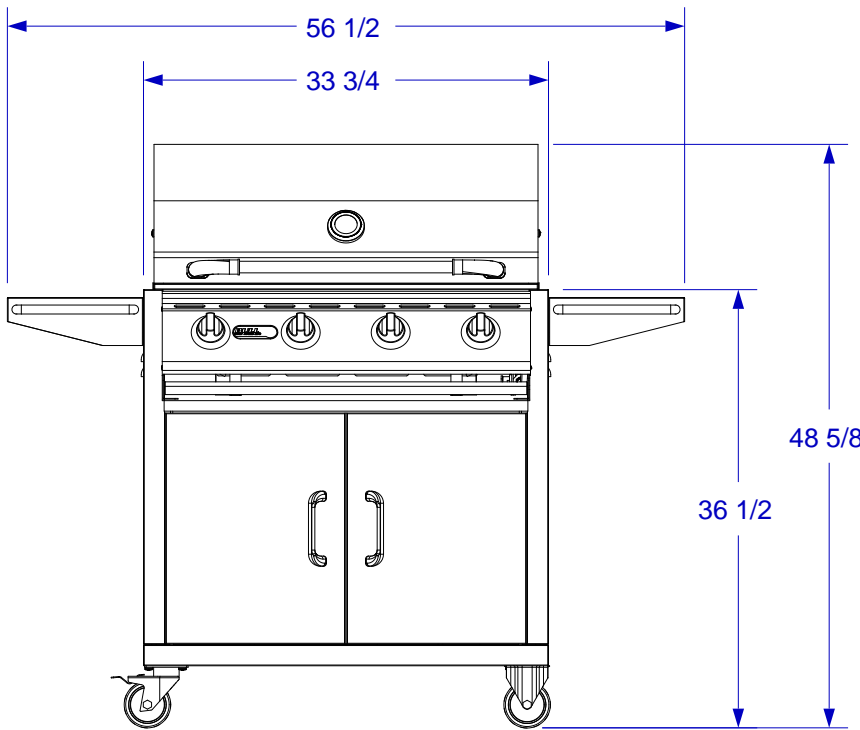




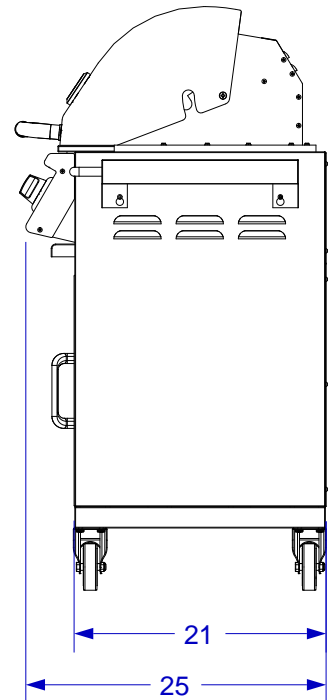
# OUTLAW CART SPEC SHEET



ISOMETRIC VIEW



FRONT VIEW



RIGHT SIDE VIEW

**NOTE:**  
1. SCALE: 3/4" = 1'-0"