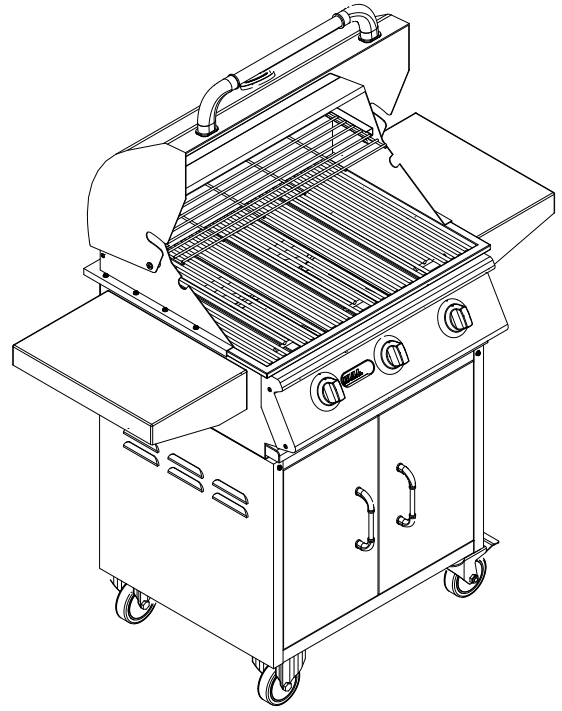
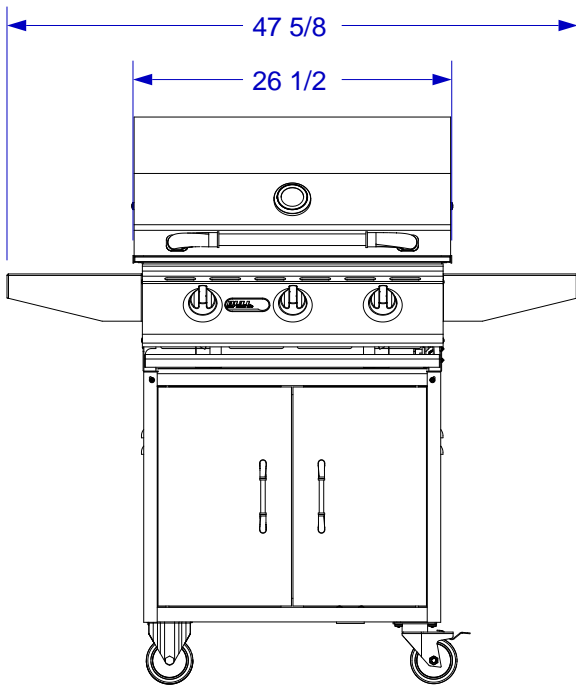




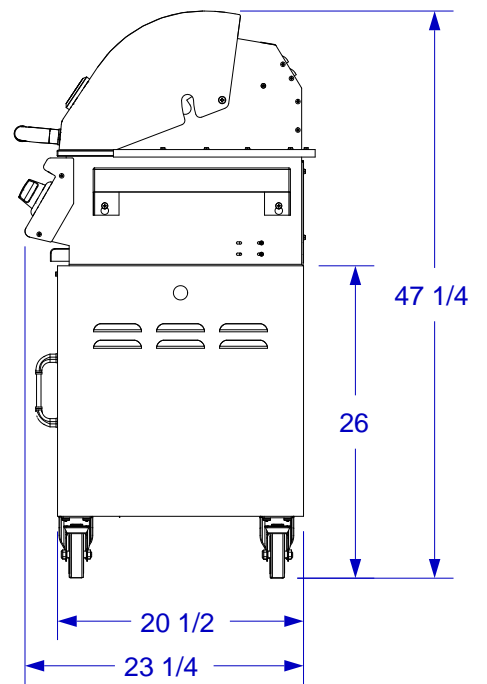
# STEER CART SPEC SHEET



ISOMETRIC VIEW



FRONT VIEW



RIGHT SIDE VIEW

- NOTES:**  
1. SCALE: 3/4" = 1'-0"  
2. REVISION: 07/2013