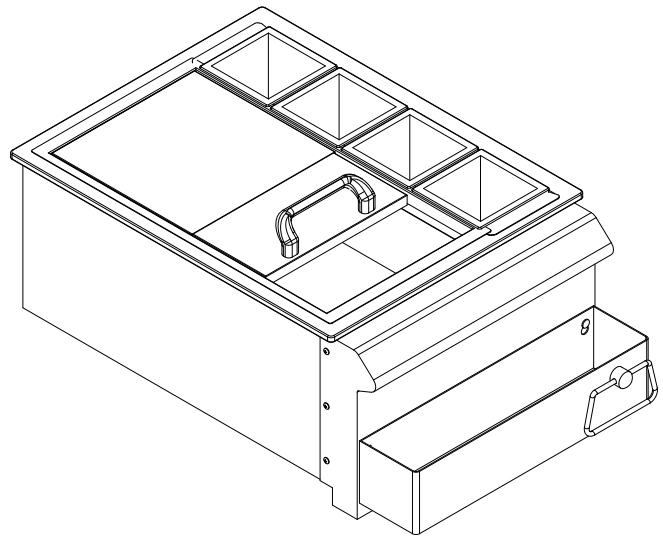
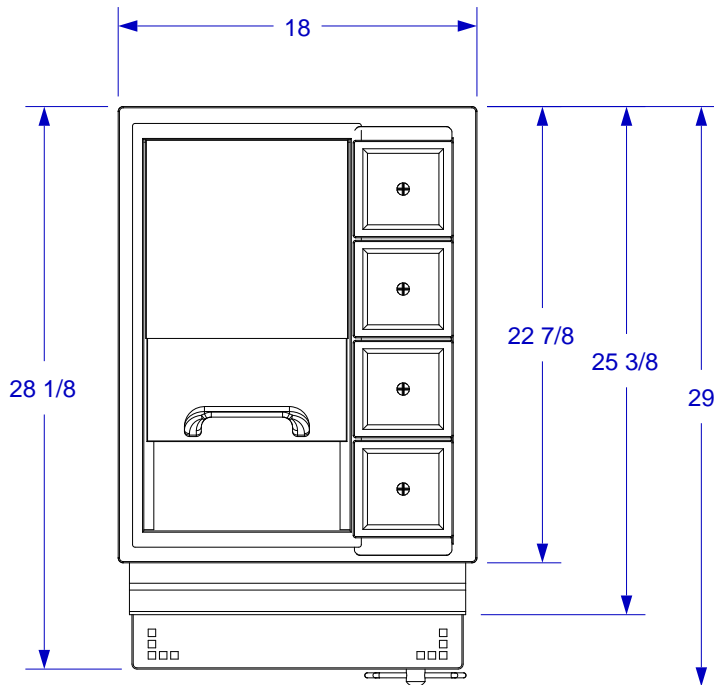




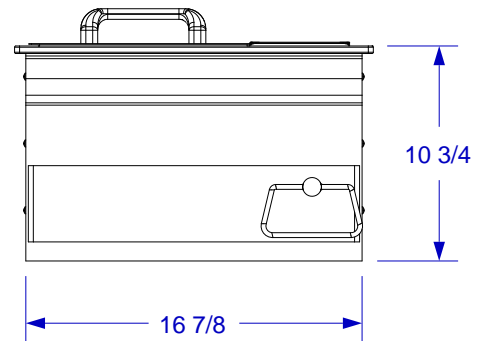
18" BAR CENTER SPEC SHEET



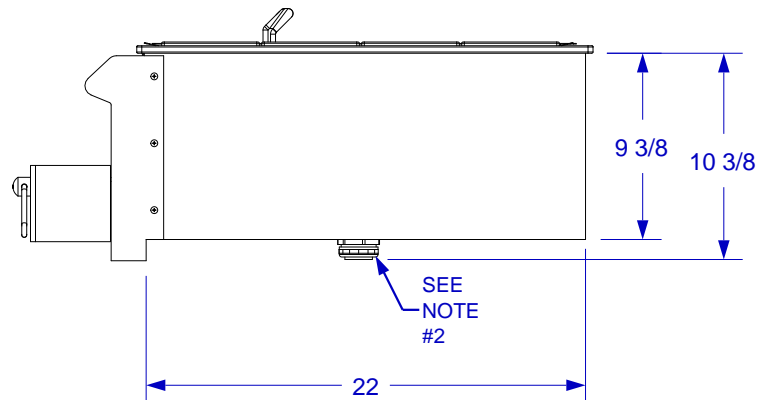
ISOMETRIC VIEW



TOP VIEW



FRONT VIEW



RIGHT SIDE VIEW

NOTES:

1. CUTOUT DIMENSIONS: 17 1/8" W X 22 3/4" D X 9 3/4" H
2. 1 1/2" DRAIN LINE.
3. SCALE: 1 1/4" = 1'-0"
4. REVISION: 10/2014