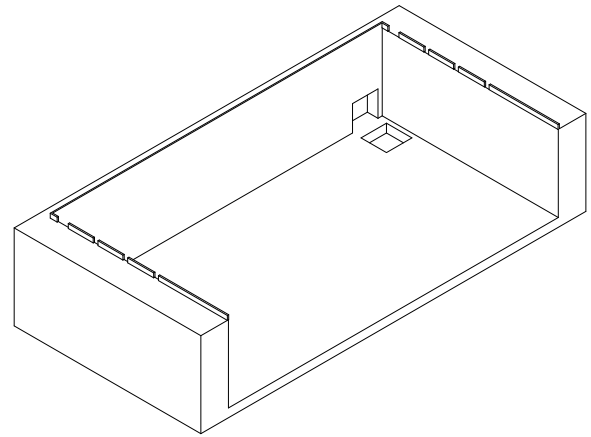
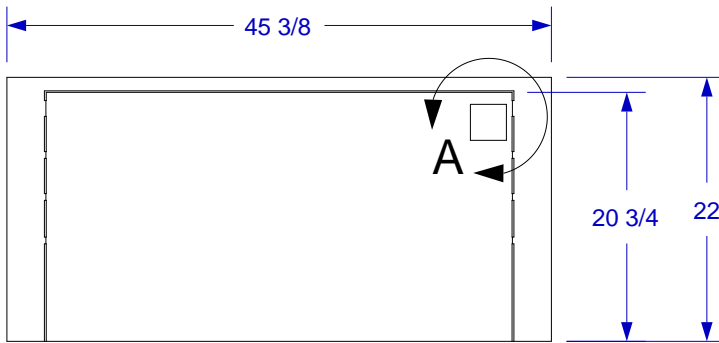




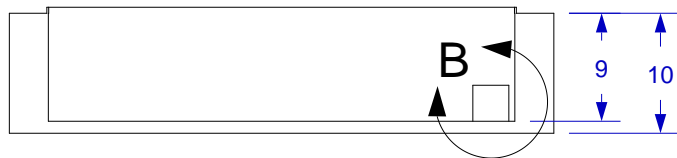
# 38 1/2" GRILL INSULATION JACKET SPEC SHEET



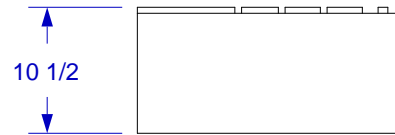
ISOMETRIC VIEW



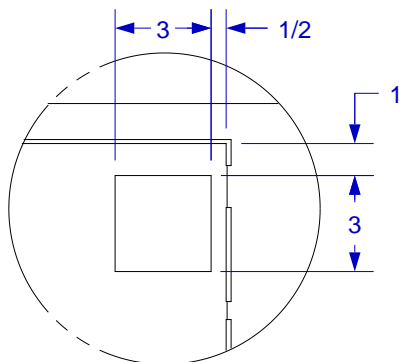
TOP VIEW



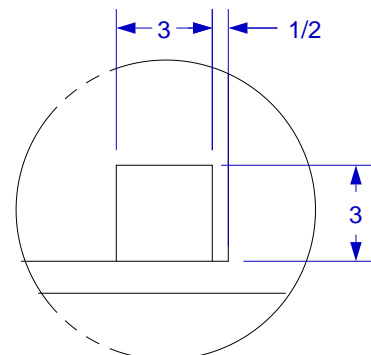
FRONT VIEW



RIGHT SIDE VIEW



Detail A  
SCALE 2" = 1' 0"



Detail B  
SCALE 2" = 1' 0"

**NOTES:**

1. CUTOUT DIMENSIONS: 45 3/4"W X 22 1/8"L X 9"D
2. 9" CUTOUT DIMENSION DEPTH IS FROM THE TOP OF THE TILE TO THE BOTTOM OF THE CUTOUT  
BUILDING MATERIALS MAY VARY IN THICKNESS; ADJUST CUTOUT DIMENSION ACCORDINGLY.
3. SCALE: 3/4" = 1'-0"