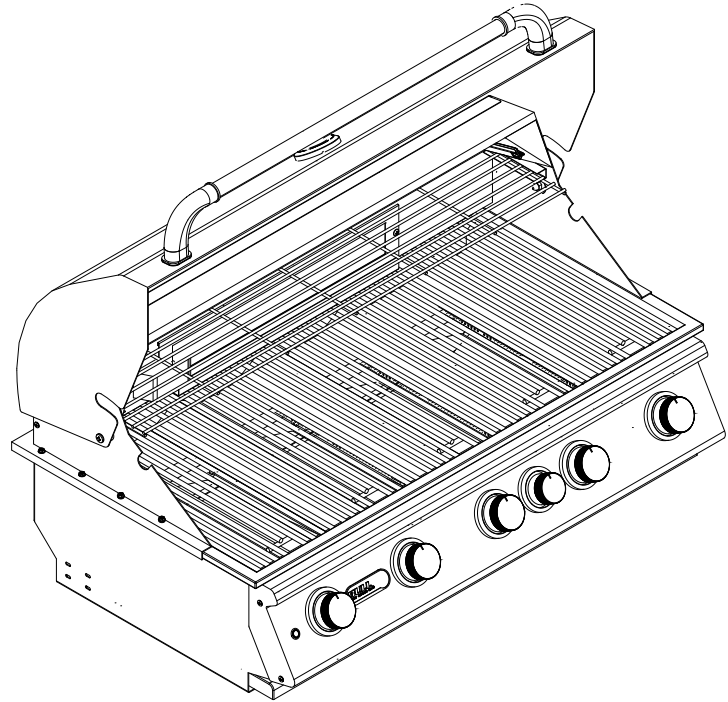




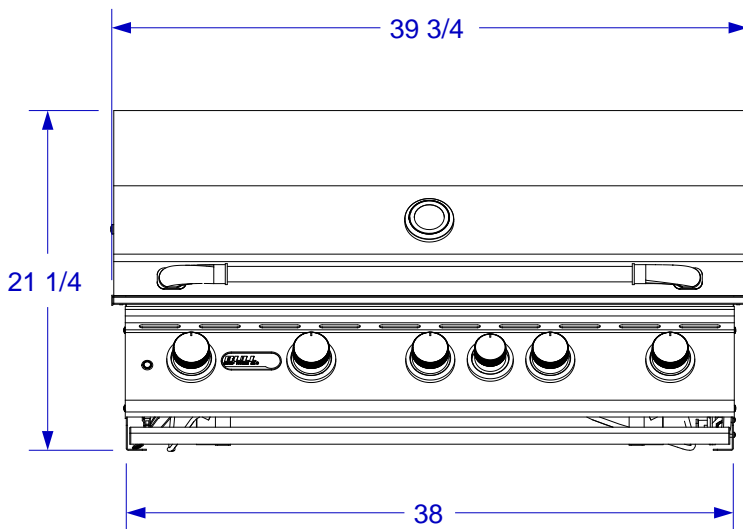
# BRAHMA GRILL

## SPEC SHEET

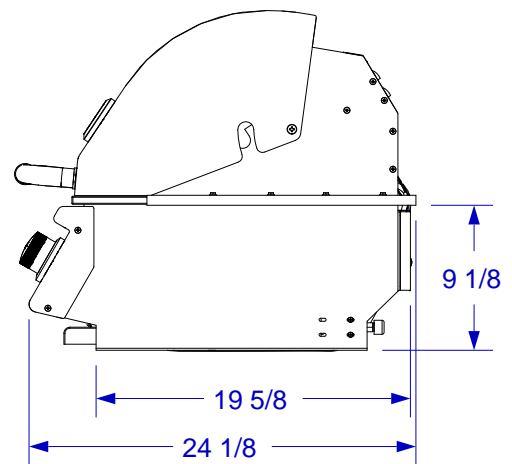
\*ISLAND MUST BE CONSTRUCTED WITH NON-COMBUSTIBLE MATERIALS; REFER TO GRILL OWNERS MANUAL



ISOMETRIC VIEW



FRONT VIEW



RIGHT SIDE VIEW

**NOTES:**

1. CUTOUT DIMENSIONS: 38 1/2" W X 21" D X 9 1/2" H
2. SCALE: 1" = 1'-0"
3. REVISION: 10/2014