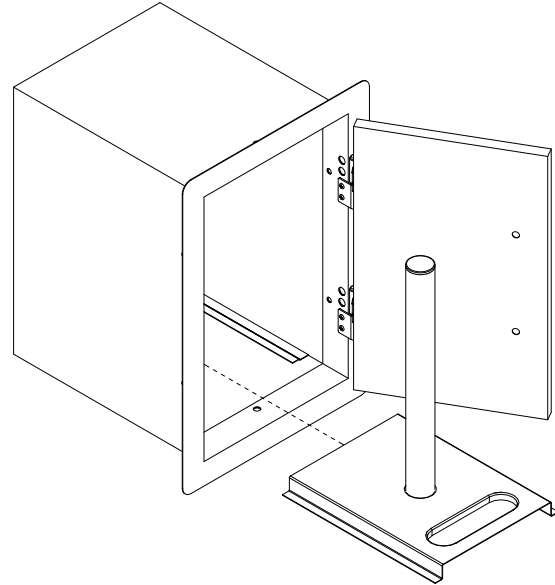
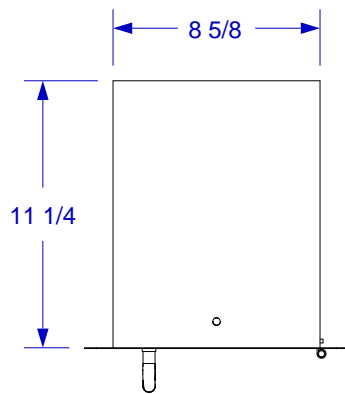




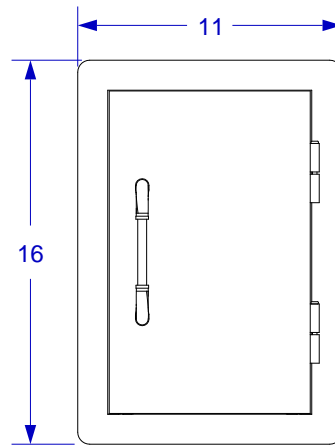
PAPER TOWEL DISPENSER SPEC SHEET



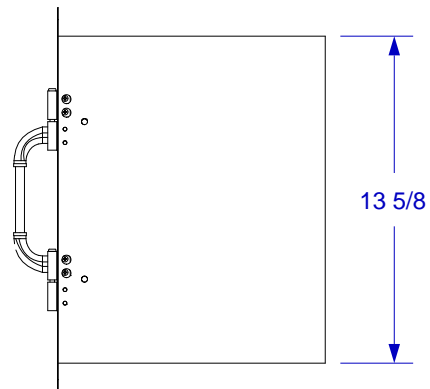
ISOMETRIC VIEW



TOP VIEW



FRONT VIEW



RIGHT SIDE VIEW

NOTES:

1. CUTOUT DIMENSIONS: 9"W X 14"H X 11 1/2"D

2. SCALE: 1 1/2" = 1'-0"

3. REVISION: 10/2014