



WWW.BULLBBQ.COM

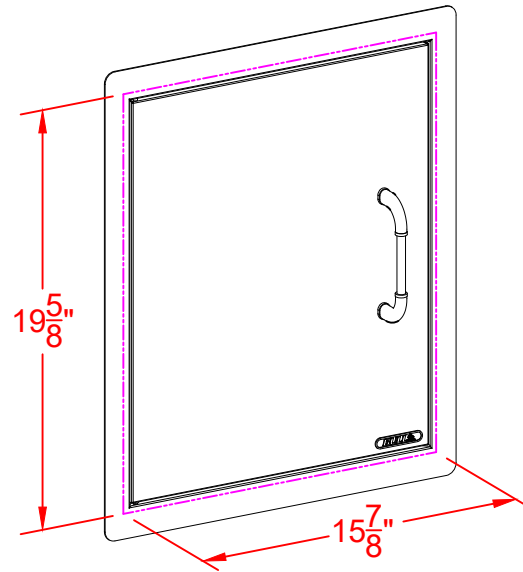
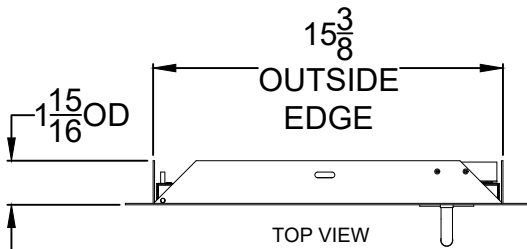
**SPEC SHEET OUTLINE**

ITEM # 98552

DESCRIPTION -

VERTICAL SINGLE DOOR  
LEFT HINGED

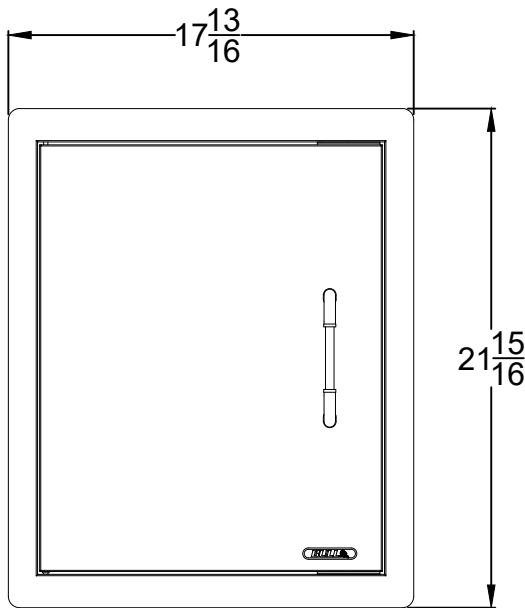
REPLACEMENT PARTS LIST			
DWG ITEM #	PART #	DESCRIPTION	QTY
1	16572	HANDLE	1
2	16515	HANDLE SET SCREW	1 SET
3	16548	DOOR MAGNET	2



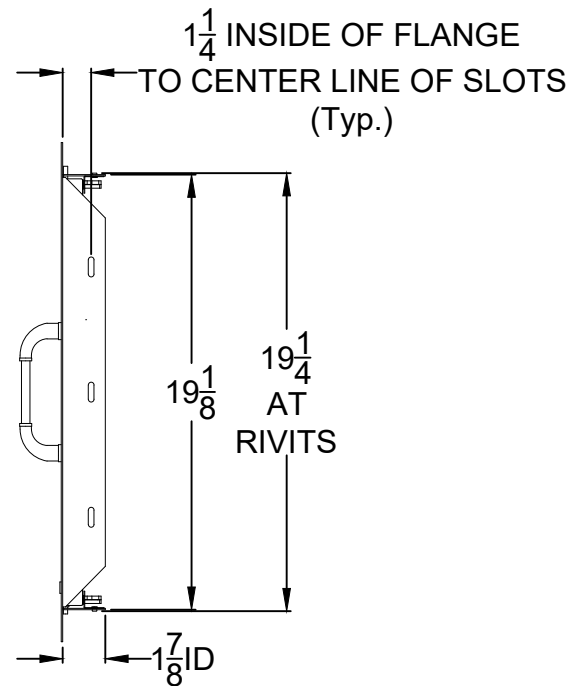
**PERSPECTIVE VIEW**

WITH INSTALLATION

CUT OUT DIMENSIONS



FRONT VIEW



RIGHT SIDE VIEW

**NOTES:**

- 1) ALL DIMENSIONS ARE IN INCH UNITS
- 2) REFER TO PERSPECTIVE VIEW FOR INSTALLATION CUTOUT DIMENSIONS.
- 3) REFER TO TOP OF PAGE FOR PART INFORMATION
- 4) PAGES 2 - 4 FOR WARRANTY POLICY