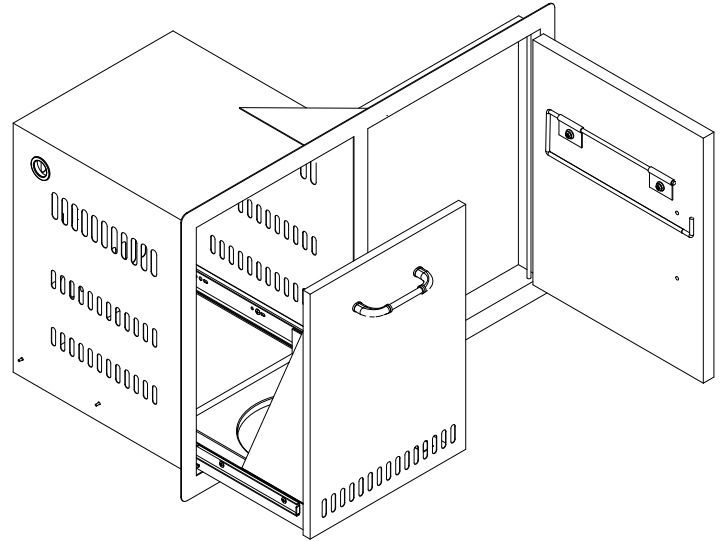
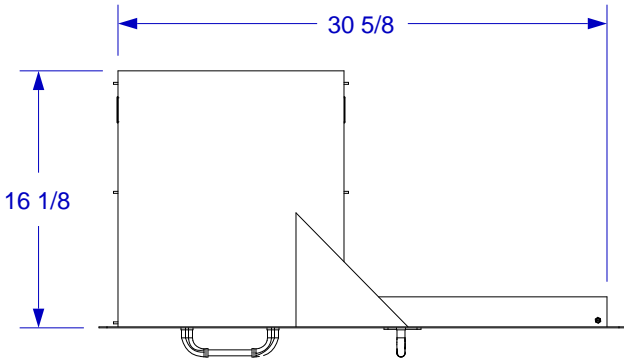




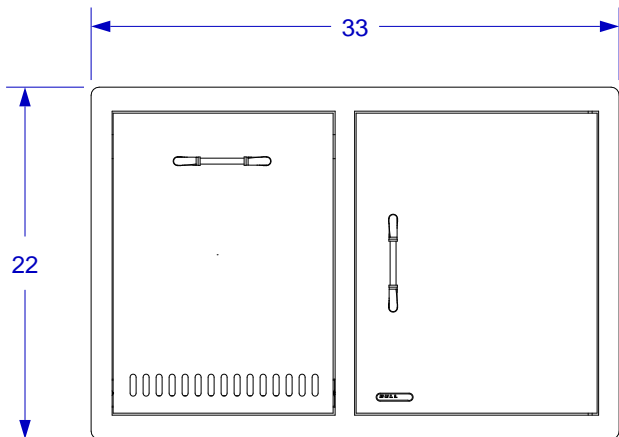
**DOOR/PROPANE**  
**DRAWER COMBO**  
**SPEC SHEET**  
**SKU #65784 S**



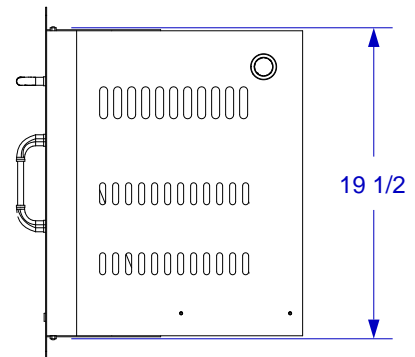
ISOMETRIC VIEW



TOP VIEW



FRONT VIEW



RIGHT SIDE VIEW

**NOTES:**

1. CUTOUT DIMENSIONS: 31"W X 20"H X 16 3/8"D
2. SCALE: 1" = 1'-0"
3. REVISION: 01/2016